



Air intake/exhaust VLAV



Mounting
elements in set



Protective mesh
1x1 mm



Rain hood

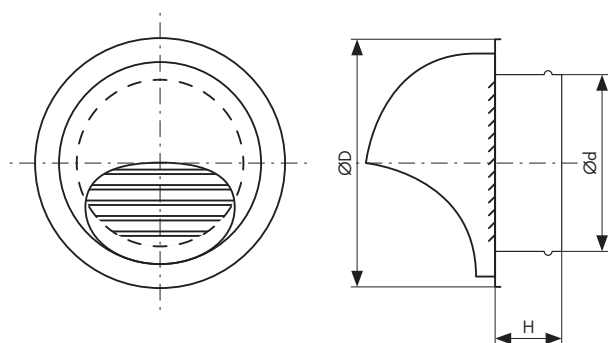


Stainless steel
304

Description

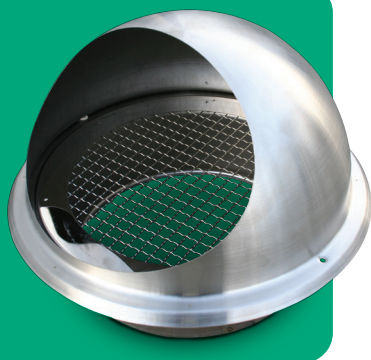
"VLAV" is used as an air intake/exhaust vent in ventilation systems – recuperation, mechanical and gravity ventilation. Consists of semi-circular cover, which protects from precipitation, and the louvers force directing airflow down. Air exhaust vent "VLAV" has rubber sealing and mounting clamps, which facilitates installation. It is characterised by aesthetic design and high durability. Vents can be used inside or outside the room. "VLAV" is made from brushed stainless steel 304.

Technical drawing



Dimensions [mm]

Model	Ød	ØD	H
VLAV 100	95	148	48
VLAV 125	120	188	48
VLAV 150	145	210	56
VLAV 160	155	210	61
VLAV 200	195	272	70



Air intake/exhaust vent VLBV



Mounting
elements in set



Protective mesh
9x9 mm



Rain hood

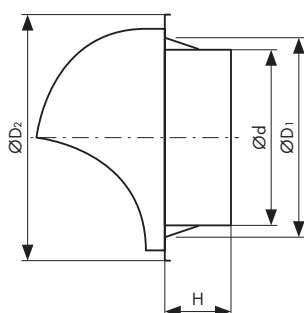


Stainless steel
304

Description

"VLBV" is used as an air intake/exhaust vent in ventilation systems – recuperation, mechanical and gravity ventilation. Consists of semi-circular cover, which protects from precipitation. Contains a thick mesh to prevent penetration of insects to the ventilation system. "VLBV" is made from brushed stainless steel 304. Air intake/exhaust vent "VLBV" has rubber sealing and drip cap, which facilitates installation. It is characterised by aesthetic design and high durability. Vents can be used inside or outside the room.

Technical drawing



Dimensions [mm]

Model	Ød	ØD ₁	ØD ₂	H
VLBV 100	97	100	148	48
VLBV 125	120	125	188	48
VLBV 150	145	150	210	56
VLBV 160	155	160	210	61
VLBV 200	195	200	272	70
VLBV 250	245	250	285	70