

# Bathroom fans

## COMO Silent



Exceptionally quiet operation



IP 45 protection class



Return damper



Time delay

### Design

Axial, wall mounted fan. The enclosure is made of impact-resistant and UV-resistant ABS plastic in RAL 9010. Original rotor design aerodynamic inlet shape and distribution of the deflectors provide higher efficiency, lower energy consumption and lower noise levels. The unit is equipped with an integrated return damper. The fan can be installed both horizontally and vertically.

#### Standard version S:

The fan is operated by means of a separate ON/OFF button or by a light switch.

#### Time delay version T:

The device is equipped with a timed operating system which is adjustable from approx. 1 minute to 25 minutes using the built-in potentiometer.

### Electric motor

Single-speed motor, powered by single-phase current 220-240V, 50/60Hz. IP 45 protection class. The motor is equipped with durable ball bearings and thermal protection of the winding against overload.

### Usage

The COMO Silent fan is designed for ventilation of small and medium spaces. Ideally suited for air-extraction installation in bathrooms, toilet or kitchen.

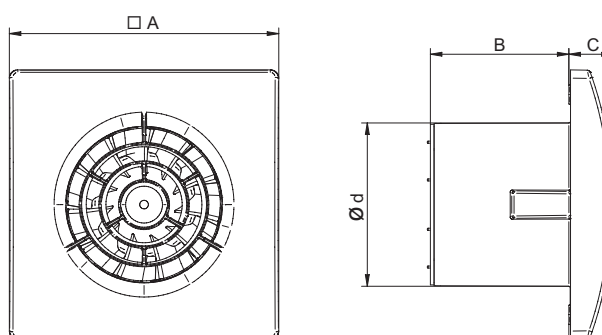
### Operating temperature

The fan is designed to transmit air with a temperature not exceeding 50°C.

### Technical specifications

Model	Air flow [m <sup>3</sup> /h]	Power [W]	Voltage [V]	Frequency [Hz]	Sound pressure level [dB(A)]	Weight [kg]
COMO Silent 100 S/T	95	8	220-240	50/60	25	0,5

### Technical drawing



### Dimensions [mm]

Model	A	B	C	Ød
COMO Silent 100	164	84	27	99,5

### Characteristics

