



Roof fans RAH



Works in supply or exhaust mode



Horizontal position



High efficiency

Design

Roof fan, axial, with horizontal air exhaust. Cover made of steel sheet, powder coated. Rotor made of plastic, reinforced with glass fiber. The fan is designed to provide long-term, trouble-free continuous operation in both exhaust and supply modes.

Usage

Relatively low pressure makes the fans ideal for ventilation of large objects, cooperating with a very short installation, such as: Production halls, warehouses, sports halls.

Electric motor

Asynchronous single-phase 230V, 50Hz or three-phase 400V, 50Hz. Suitable for voltage regulation or frequency converter (3 phase products). Protection class IP 44 or IP55, insulation class B or F.

Operating temperature

The fan is designed to transmit air with a temperature not exceeding 45°C.

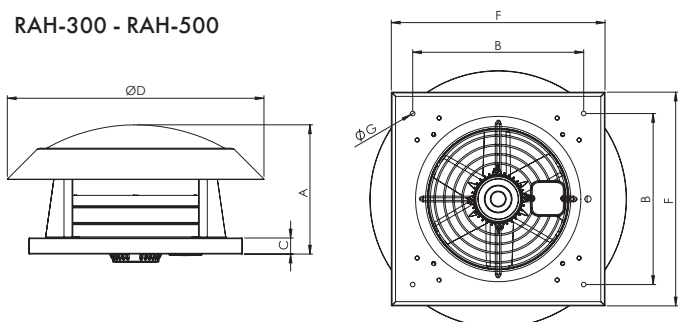
Technical specifications

Model	Air flow [m³/h]	Impeller speed [rpm]	Power [kW]	Current [A]	Voltage [V]	Frequency [Hz]	Capacitor [µF]	Sound pressure level [dB(A)]	Weight [kg]	Controller HRX	Controller HRB	Controller HRC/HRT	Frequency converter	Inlet flange
RAH-300/1800 M	1800	1445	0,09	0,45	230	50	3	47-39	16	1,0	1,5	-	-	ILB 315
RAH-350/2600 M	2600	1400	0,25	1,22	230	50	6	48-40	18	2,5	3,0	-	-	ILB 355
RAH-400/4500 M	4500	1375	0,25	1,24	230	50	6	51-43	20	2,5	3,0	-	-	ILB 400
RAH-450/6500 M	6500	1350	0,32	1,5	230	50	8	55-47	25	2,5	3,0	-	-	ILB 450
RAH-500/8500 M	8500	1350	0,37	1,75	230	50	12	57-49	30	2,5	3,0	-	-	ILB 500
RAH-560/10000 M	10400	1405	0,75	4,6	230	50	-	61-53	37	-	7,0	-	-	ILB 560
RAH-630/14000 M	14000	1410	1,1	7,1	230	50	-	63-55	45	-	-	11,0	-	ILB 630
RAH-710/18000 M	18000	1410	1,5	9,3	230	50	-	68-60	53	-	-	11,0	-	ILB 710
RAH-800/26000 M	26000	1425	2,2	13,4	230	50	-	70-62	75	-	-	-	-	ILB 800
RAH-300/1800 T	1800	1445	0,21	1,1	400	50	-	47-39	16	-	-	-	Yes	ILB 300
RAH-350/2600 T	2600	1400	0,27	1,3	400	50	-	48-40	18	-	-	-	Yes	ILB 355
RAH-400/4500 T	4500	1375	0,25	0,8	400	50	-	51-43	20	-	-	-	Yes	ILB 400
RAH-450/6500 T	6500	1240	0,36	1,6	400	50	-	55-47	25	-	-	-	Yes	ILB 450
RAH-500/8500 T	8500	1260	0,37	0,84	400	50	-	57-49	30	-	-	-	Yes	ILB 500
RAH-560/10000 T	10400	1405	0,75	2,1	400	50	-	61-53	37	-	-	-	Yes	ILB 560
RAH-630/14000 T	14000	1410	1,1	2,6	400	50	-	63-55	45	-	-	-	Yes	ILB 630
RAH-710/18000 T	18000	1410	1,5	3,5	400	50	-	68-60	53	-	-	-	Yes	ILB 710
RAH-800/26000 T	26000	1425	2,2	5,0	400	50	-	70-62	75	-	-	-	Yes	ILB 800
RAH-900/32000 T	32000	1425	3,0	6,6	400	50	-	74-66	80	-	-	-	Yes	ILB 900
RAH-1000/42000 T	42000	1440	5,5	8,4	400	50	-	77-69	105	-	-	-	Yes	ILB 1000

Sound pressure level measured outdoor at 4 and 10 m.

Technical drawing

RAH-300 - RAH-500

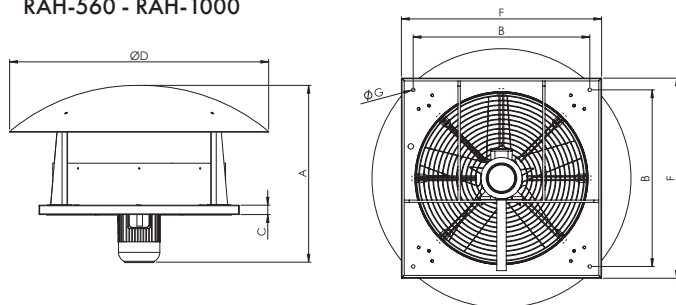


Dimensions [mm]

Model	A	ØD	C	B	F	G
RAH-300/1800	340	685	40	450	560	12
RAH-350/2600	340	685	40	450	560	12
RAH-400/4500	470	824	40	530	630	12
RAH-450/6500	480	824	40	590	710	12
RAH-500/8500	480	824	40	680	740	12

Technical drawing

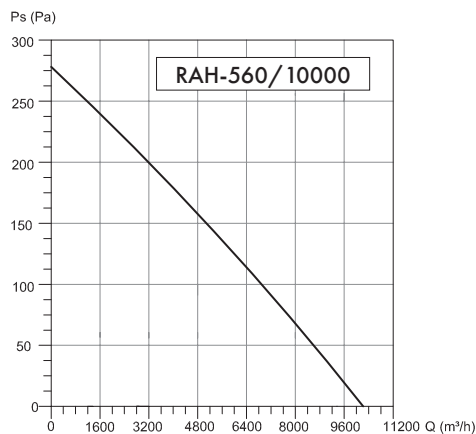
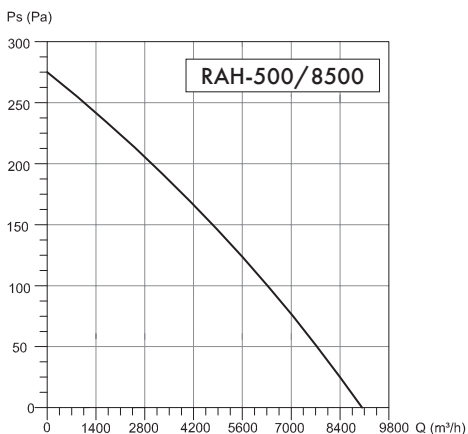
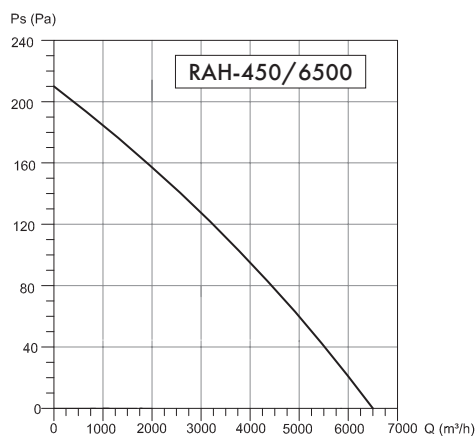
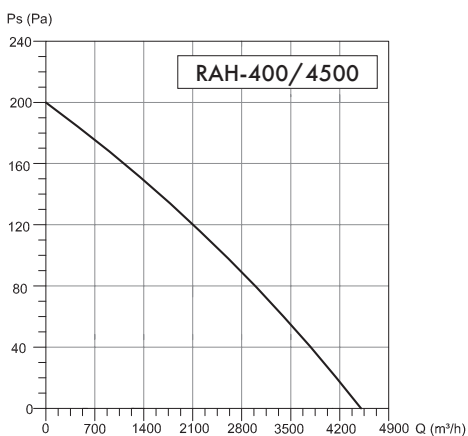
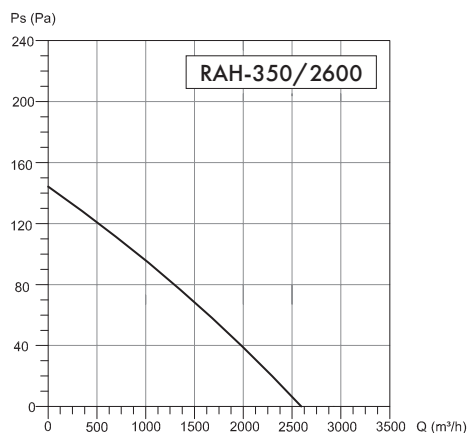
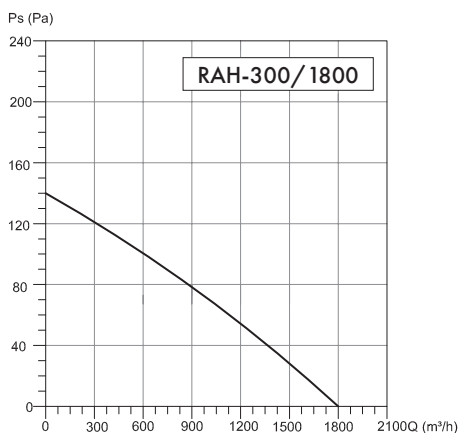
RAH-560 - RAH-1000



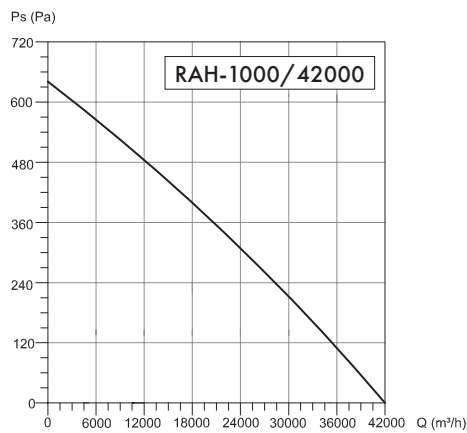
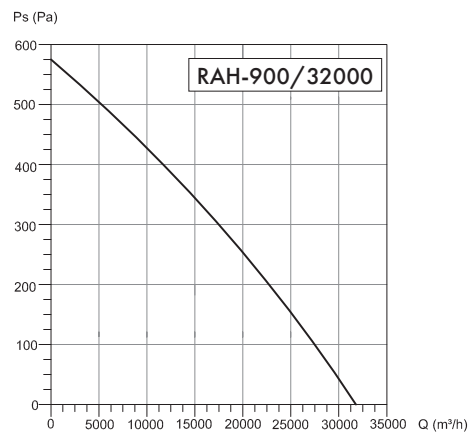
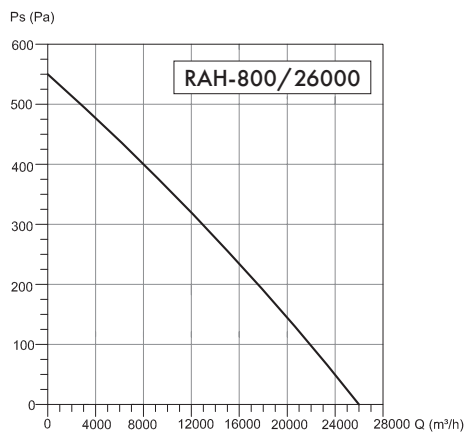
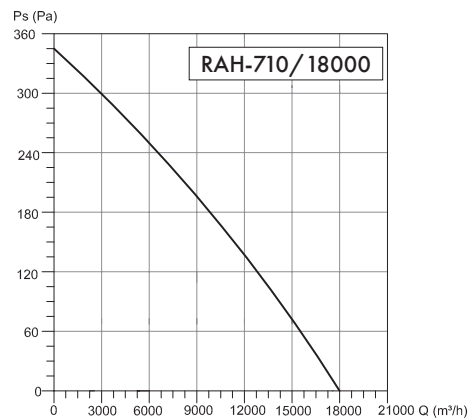
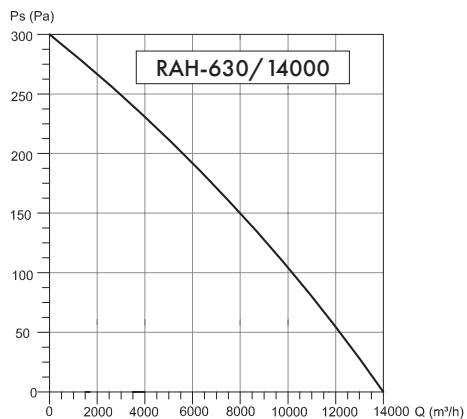
Dimensions [mm]

Model	A	ØD	C	B	F	G
RAH-560/10000	710	1150	40	750	800	15
RAH-630/14000	710	1150	40	750	850	15
RAH-710/18000	800	1150	40	750	850	15
RAH-800/26000	900	1450	40	900	1000	15
RAH-900/32000	900	1450	40	900	1000	15
RAH-1000/42000	950	1450	40	1000	1100	15

Characteristics



Characteristics



Accessories



HRX
Electronic speed controller
page 174



HRB
Transformer speed controller
page 176



HRC/HRT
Transformer speed controller
page 176



WSH
Service switch
page 177



PSH
Pressure switch
page 173



FKOV
Filter G3 for round ducts
page 83



AKUFLEX
Flexible acoustic silencer
page 71



RSKV
Backdraft damper
page 41