



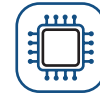
## Electric heaters ERH NV/NI/NIS



Steel cover with aluzinc coating



Two-stage overheating protection



Integrated automatic



IP 44 protection class

### Description

ERH NI/NV/NIS is a series of electric duct heaters with a **built-in automation system containing a heater power regulator**. The adjustment is performed by pulsation. The time between switching the heaters on and off is adjusted by the regulator to ensure that the set temperature is maintained. The NV/NI/NIS series differ in the way the target value is set:

**NI** – Temperature setpoint using potentiometer located on heater cover.

**NV** – Temperature setting using HR5K external setpoint.

**LOW** – Temperature setting using external control signal 0 - 10 V.

ERH heaters are designed for installation in rectangular ducts. Heating power range: 6.0 to 66.0 kW.

Each heater has a two-stage overheating protection:

I level at 50°C - automatic reset.

II level at 100°C – manual reset required.

### Usage

Duct heaters are used to heat clean air in domestic ventilation systems, especially in autumn and winter, as well as in industrial installations requiring a constant temperature of blown air.

ECH heaters also work as pre-heaters or secondary heaters, complementing installations based on ventilation units with heat recovery.

### Design

The heater cover is made of steel sheet coated with a high-quality aluzinc coating, which guarantees high corrosion resistance.

The heating elements are made of AISI 304 stainless steel.

The junction box has an IP44 protection class.

### Power of heating elements

Power [kW]	Heating elements [kW]	Power [kW]	Heating elements [kW]
9	9	36	9+12+15
12	12	39	9+15+15
15	15	42	12+15+15
18	9+9	45	12+15+18
21	9+12	51	9+12+12+18
24	9+15	54	9+12+15+18
27	12+15	60	12+15+15+18
30	15+15	66	15+15+18+18
33	15+18	-	-

### Accessories



#### PSH

Pressure switch  
page 173



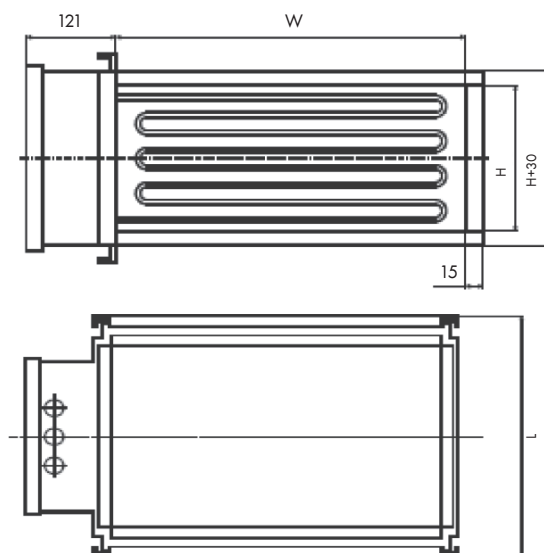
#### TJK10K

Duct temperature sensor  
page 173



#### HR5K

External temperature setpoint  
page 174



Standard dimensions [mm]

**ERH NI/NV/NIS-4020; WxH = 400x200**

Length L	mm	370	420	520		
Power	kW	6	9	12	15	21

**ERH NI/NV/NIS-5025; WxH = 500x250**

Length L	mm	370	420	520	600	820	970	
Power	kW	9	12	15	21	24	36	45

**ERH NI/NV/NIS-5030; WxH = 500x300**

Length L	mm	370	440	520	600								
Power	kW	9	12	15	18	21	24	27	30	33	36	42	45

**ERH NI/NV/NIS-6030; WxH = 600x300**

Length L	mm	370	440	520	600								
Power	kW	9	12	15	18	21	24	27	30	33	36	42	45

**ERH NI/NV/NIS-6035; WxH = 600x350**

Length L	mm	370	420	500										
Power	kW	9	12	15	18	21	24	27	30	33	36	39	42	45

**ERH NI/NV/NIS-7040; WxH = 700x400**

Length L	mm	370	440	520												
Power	kW	9	12	15	18	21	24	27	30	33	36	42	45	51	60	66

**ERH NI/NV/NIS-8050; WxH = 800x500**

Length L	mm	370	420	440	500													
Power	kW	9	12	15	18	21	24	27	30	33	36	39	42	45	51	54	60	66

**ERH NI/NV/NIS-10050; WxH = 1000x500**

Length L	mm	370	420	440	500													
Power	kW	9	12	15	18	21	24	27	30	33	36	39	42	45	51	54	60	66