



Pressed bends B



Rounded, reinforced
"SAFE" edges



Automatic linear
welding

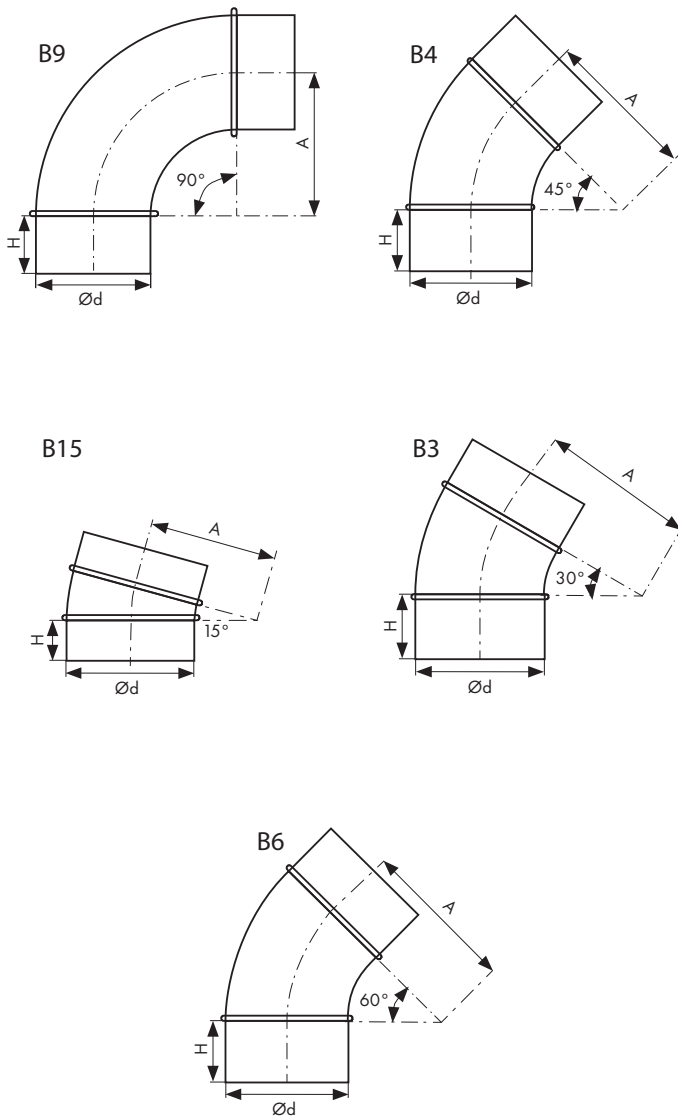


Top quality galvanized
steel 275 g/m²

Description

Pressed bends - "B" **SAFE**, are made from top quality galvanized steel (275 g/m²). Pressing process as well as linear welding are fully automatic. Rounded edges "SAFE", reinforced with curved rims, provide additional bend rigidity and safe mounting.

Technical drawing



Dimensions B9 [mm], Angle 90°

Ød nom.	A	H	kg	pcs/box	box type
80	100	40	0,27	85	P4
100	100	40	0,35	110	P2
125	125	40	0,52	60	P2
150	150	40	0,71	75	P1
160	160	40	0,83	60	P1
200	200	40	1,27	33	P1

Dimensions B4 [mm], Angle 45°

Ød nom.	A	H	kg	pcs/box	box type
80	100	40	0,19	90	P6
100	100	40	0,24	90	P4
125	125	40	0,34	100	P2
150	150	40	0,44	60	P2
160	160	40	0,52	110	P1
200	200	40	0,77	60	P1

Dimensions B15 [mm], Angle 15°

Ød nom.	A	H	kg	pcs/box	box type
80	100	40	0,2	54	P12
100	100	40	0,3	50	P12
125	125	40	0,3	28	P12
150	150	40	0,4	16	P12
160	160	40	0,5	15	P12
200	200	40	0,6	16	P6

Dimensions B3 [mm], Angle 30°

Ød nom.	A	H	kg	pcs/box	box type
80	100	40	0,2	50	P12
100	100	40	0,3	75	P6
125	125	40	0,3	40	P6
150	150	40	0,4	25	P6
160	160	40	0,5	20	P6
200	200	40	0,7	16	P4

Dimensions B6 [mm], Angle 60°

Ød nom.	A	H	kg	pcs/box	box type
80	100	40	0,3	80	P6
100	100	40	0,4	40	P6
125	125	40	0,5	22	P6
150	150	40	0,9	15	P6
160	160	40	1,0	20	P4
200	200	40	1,5	12	P4



Packaging method on page 38