

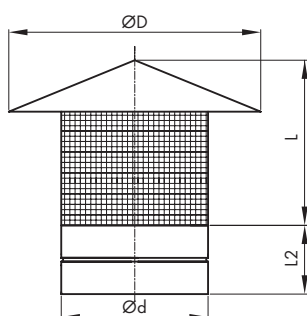
Round roof intake and exhaust **ORR**



Description

Round roof (air intake/exhauster) "ORR", made from galvanised steel and protected with a mesh against installation contamination. The bottom part, which is connected to the base, is a "female" made. Flange or male connection can be made on request.

Technical drawing



Dimensions [mm]

Model	Ød nom	ØD	L2	L
ORR 100	100	200	90	120
ORR 125	125	250	90	140
ORR 160	160	320	90	180
ORR 200	200	400	90	220
ORR 250	250	500	130	260
ORR 315	315	630	130	310

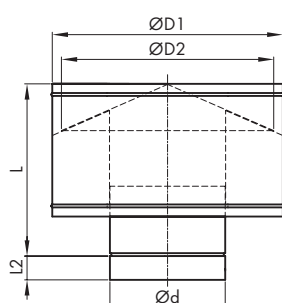
Cylindrical air exhauster **FRR**



Description

Cylindrical air exhauster "FRR" is made from galvanised steel. The bottom part, which is connected to the base, is a "female" made. Flange or male connection can be made on request.

Technical drawing



Dimensions [mm]

Model	Ød nom	ØD1	ØD2	L2	L
FRR 100	100	200	160	60	165
FRR 125	125	250	200	60	206
FRR 160	160	320	256	60	264
FRR 200	200	400	320	80	330
FRR 250	250	500	400	80	413
FRR 315	315	630	504	100	520