



# Swirl diffuser SW



Universal outer dimension  
595x595 mm



Powder-coated  
in white color  
RAL 9016

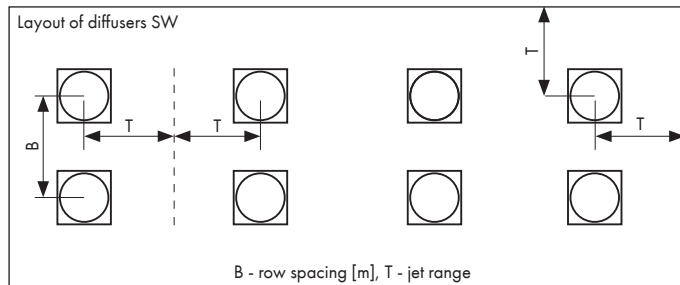
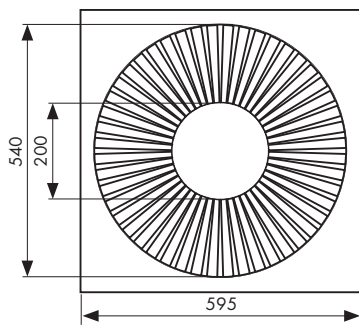


National Technical  
Assessment

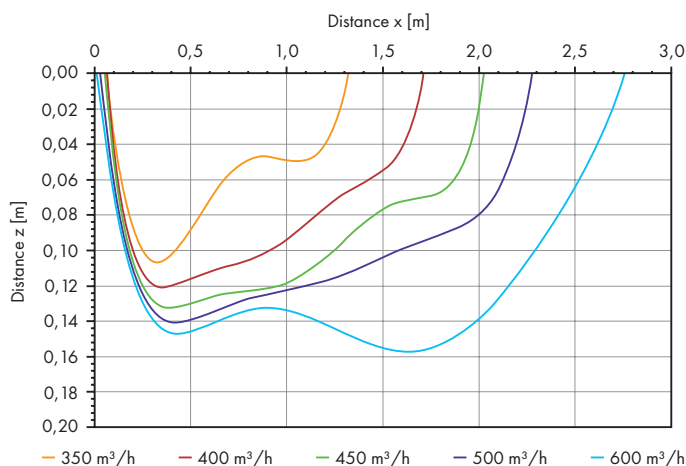
## Description

Swirl diffusers "SA-B" HAVACO are designed for right direction and distribution of an indoor airflow. Adapted to low and medium pressure air supply systems and spaces with a maximum ceiling height of 4 m. The air is distributed through 36 radial guiding vanes. Its advantages are great even air distribution and low airflow noise. Assembly on ventilation ducts to plenum boxes, and into suspended ceilings. Diffusers have a central fixing screw hole. They are light and easy to install, without the need to reinforce the suspended ceiling construction. Made of steel sheet, powder coated, finished in colour RAL 9016.

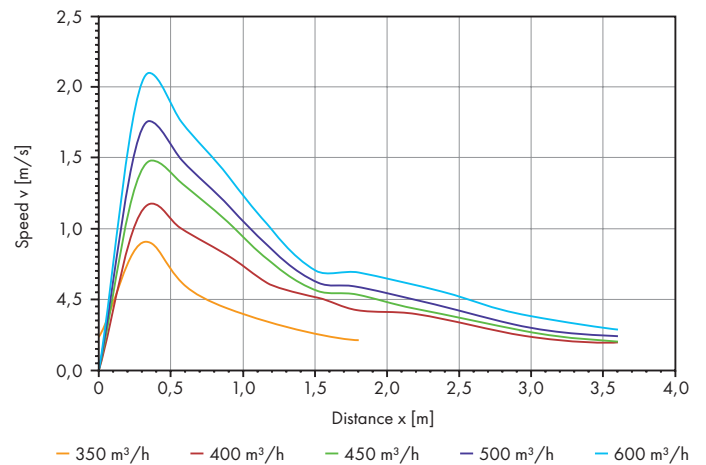
## Technical drawing



## Air jet range from the diffuser for a speed of 0.5 m/s and different air volumes



## Speed distribution in the plane of Z = 0.05 m below the ceiling for different flow rates



## Static pressure drop under standard conditions at the SW air diffuser depending on the air flow rate

