



T-piece with gasket TX



Rounded, reinforced
"SAFE" edges



Double gasket,
tightness class D



Automatic linear
welding

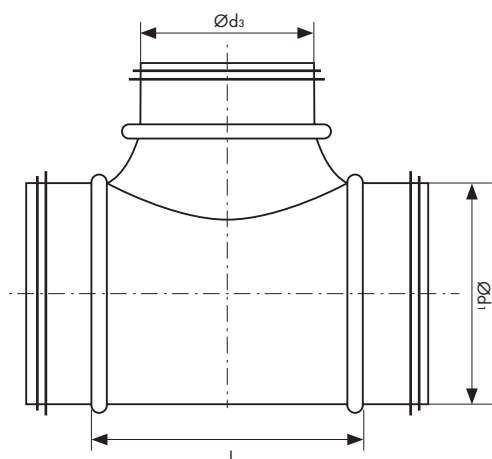


Top quality
galvanized steel
275 g/m²

Description

T-piece with gasket - "TX" **SAFE**, made from top quality galvanized steel (275 g/m²). With every edge "SAFE" type - reinforced with curved rims, provide additional fitting rigidity and safe mounting. Double gasket EPDM clamped automatically ensures no risk of slipping during mounting.

Technical drawing



Dimensions [mm]

$\varnothing d_1$ nom/ $\varnothing d_3$ nom	L	kg	pcs/box	box type
80 / 80	$d_3 + 70$	0,36	50	P6
100 / 80	$d_3 + 70$	0,23	54	P4
100 / 100	$d_3 + 70$	0,32	84	P2
125 / 80	$d_3 + 70$	0,34	60	P2
125 / 100	$d_3 + 70$	0,37	60	P2
125 / 125	$d_3 + 70$	0,75	52	P2
160 / 80	$d_3 + 70$	0,53	50	P2
160 / 100	$d_3 + 70$	0,46	78	P1
160 / 125	$d_3 + 70$	0,53	32	P2
160 / 160	$d_3 + 70$	0,63	60	P1
200 / 100	$d_3 + 70$	0,88	27	P2
200 / 125	$d_3 + 70$	1,02	50	P1
200 / 160	$d_3 + 70$	1,09	16	P2
200 / 200	$d_3 + 70$	1,21	32	P1
250 / 100	$d_3 + 70$	1,30	33	P1
250 / 125	$d_3 + 70$	1,47	36	P1
250 / 160	$d_3 + 70$	1,58	22	P1
250 / 200	$d_3 + 70$	1,61	20	P1
250 / 250	$d_3 + 70$	2,40	19	P1
315 / 100	$d_3 + 70$	1,50	24	P1
315 / 125	$d_3 + 70$	1,85	20	P1
315 / 160	$d_3 + 70$	2,00	16	P1
315 / 200	$d_3 + 70$	2,03	14	P1
315 / 250	$d_3 + 70$	4,20	12	P1
315 / 315	$d_3 + 70$	3,66	9	P1
355 / 100	$d_3 + 70$	1,37	10	P1
355 / 125	$d_3 + 70$	1,51	10	P1
355 / 150	$d_3 + 70$	1,7	10	P1
355 / 160	$d_3 + 70$	1,75	10	P1
355 / 200	$d_3 + 70$	2,2	10	P1
355 / 250	$d_3 + 70$	2,5	10	P1
355 / 315	$d_3 + 70$	3,15	5	P1
355 / 355	$d_3 + 70$	3,8	5	P1
400 / 100	$d_3 + 100$	1,85		on request
400 / 125	$d_3 + 100$	1,9		on request
400 / 160	$d_3 + 100$	2,55		on request
400 / 200	$d_3 + 100$	2,80		on request



Packaging method on page 38

Dimensions [mm]

Ød ₁ nom/ Ød ₃ nom	L	kg	pcs/box	box type
400 / 250	d ₃ + 100	3,20		on request
400 / 315	d ₃ + 100	4,18		on request
400 / 355	d ₃ + 100	4,50		on request
400 / 400	d ₃ + 100	5,40		on request
450 / 125	d ₃ + 100	-		on request
450 / 160	d ₃ + 100	2,50		on request
450 / 200	d ₃ + 100	2,90		on request
450 / 250	d ₃ + 100	3,60		on request
450 / 315	d ₃ + 100	4,40		on request
450 / 355	d ₃ + 100	4,70		on request
450 / 400	d ₃ + 100	5,60		on request
450 / 450	d ₃ + 100	7,10		on request
500 / 100	d ₃ + 100	2,70		on request
500 / 125	d ₃ + 100	2,90		on request
500 / 160	d ₃ + 100	3,70		on request
500 / 200	d ₃ + 100	4,10		on request
500 / 250	d ₃ + 100	4,60		on request
500 / 315	d ₃ + 100	5,50		on request
500 / 355	d ₃ + 100	6,10		on request
500 / 400	d ₃ + 100	7,00		on request
500 / 450	d ₃ + 100	8,10		on request
500 / 500	d ₃ + 100	9,60		on request
560 / 250	d ₃ + 100	5,20		on request
560 / 315	d ₃ + 100	6,05		on request
560 / 355	d ₃ + 100	6,50		on request
560 / 400	d ₃ + 100	7,40		on request
560 / 450	d ₃ + 100	8,60		on request
560 / 500	d ₃ + 100	10,70		on request
560 / 560	d ₃ + 100	12,00		on request
630 / 100	d ₃ + 100	3,70		on request
630 / 125	d ₃ + 100	4,00		on request
630 / 160	d ₃ + 100	4,30		on request
630 / 200	d ₃ + 100	5,10		on request
630 / 250	d ₃ + 100	6,00		on request
630 / 315	d ₃ + 100	7,00		on request
630 / 355	d ₃ + 100	7,60		on request

Ød ₁ nom/ Ød ₃ nom	L	kg	pcs/box	box type
630 / 400	d ₃ + 100	8,50		on request
630 / 450	d ₃ + 100	9,50		on request
630 / 500	d ₃ + 100	11,00		on request
630 / 560	d ₃ + 100	12,30		on request
630 / 630	d ₃ + 100	14,77		on request
710 / 355	d ₃ + 100	8,30		on request
710 / 400	d ₃ + 100	9,50		on request
710 / 450	d ₃ + 100	11,00		on request
710 / 500	d ₃ + 100	11,60		on request
710 / 560	d ₃ + 100	13,00		on request
710 / 630	d ₃ + 100	15,00		on request
710 / 710	d ₃ + 100	17,50		on request
800 / 355	d ₃ + 100	10,39		on request
800 / 400	d ₃ + 100	11,00		on request
800 / 450	d ₃ + 100	12,10		on request
800 / 500	d ₃ + 100	13,30		on request
800 / 560	d ₃ + 100	14,80		on request
800 / 630	d ₃ + 100	16,60		on request
800 / 710	d ₃ + 100	19,60		on request
800 / 800	d ₃ + 100	28,60		on request
900 / 450	d ₃ + 100	17,50		on request
900 / 500	d ₃ + 100	19,00		on request
900 / 560	d ₃ + 100	21,00		on request
900 / 630	d ₃ + 100	23,00		on request
900 / 710	d ₃ + 100	27,00		on request
900 / 800	d ₃ + 100	32,00		on request
900 / 900	d ₃ + 100	35,50		on request
1000 / 400	d ₃ + 100	20,00		on request
1000 / 450	d ₃ + 100	22,00		on request
1000 / 500	d ₃ + 100	24,00		on request
1000 / 560	d ₃ + 100	26,00		on request
1000 / 630	d ₃ + 100	29,00		on request
1000 / 710	d ₃ + 100	32,00		on request
1000 / 800	d ₃ + 100	37,00		on request
1000 / 900	d ₃ + 100	44,00		on request
1000 / 1000	d ₃ + 100	53,00		on request



Packaging method on page 38