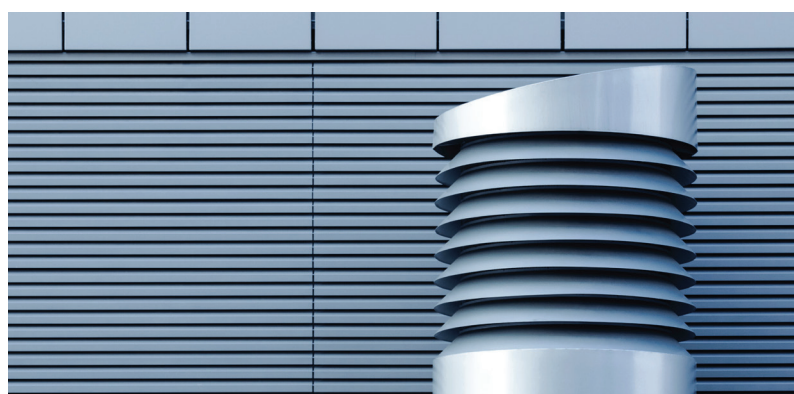




# VERSO Standard RHP Standard



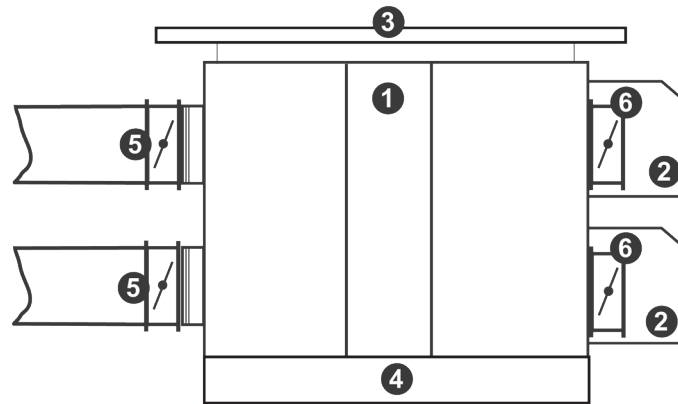
INSTALLATION  
INSTRUCTIONS  
FOR OUTDOOR  
ACCESSORIES

EN



VERSO STANDARD air handling units are not suitable to install in outdoor areas without additional modification.

Units intended to be installed outdoors, should be fixed to the base frame and air dampers must be installed on to the duct connections. AHU must be protected from the weather influence by installing dedicated roof and hoods. If possible, it is recommended to install the unit near the walls for the extra protection from the wind.



- 1 AHU
- 2 Hoods
- 3 Roof
- 4 Base frame
- 5 Air dampers on the room side (recommended)
- 6 Outdoor air closing dampers (mandatory)

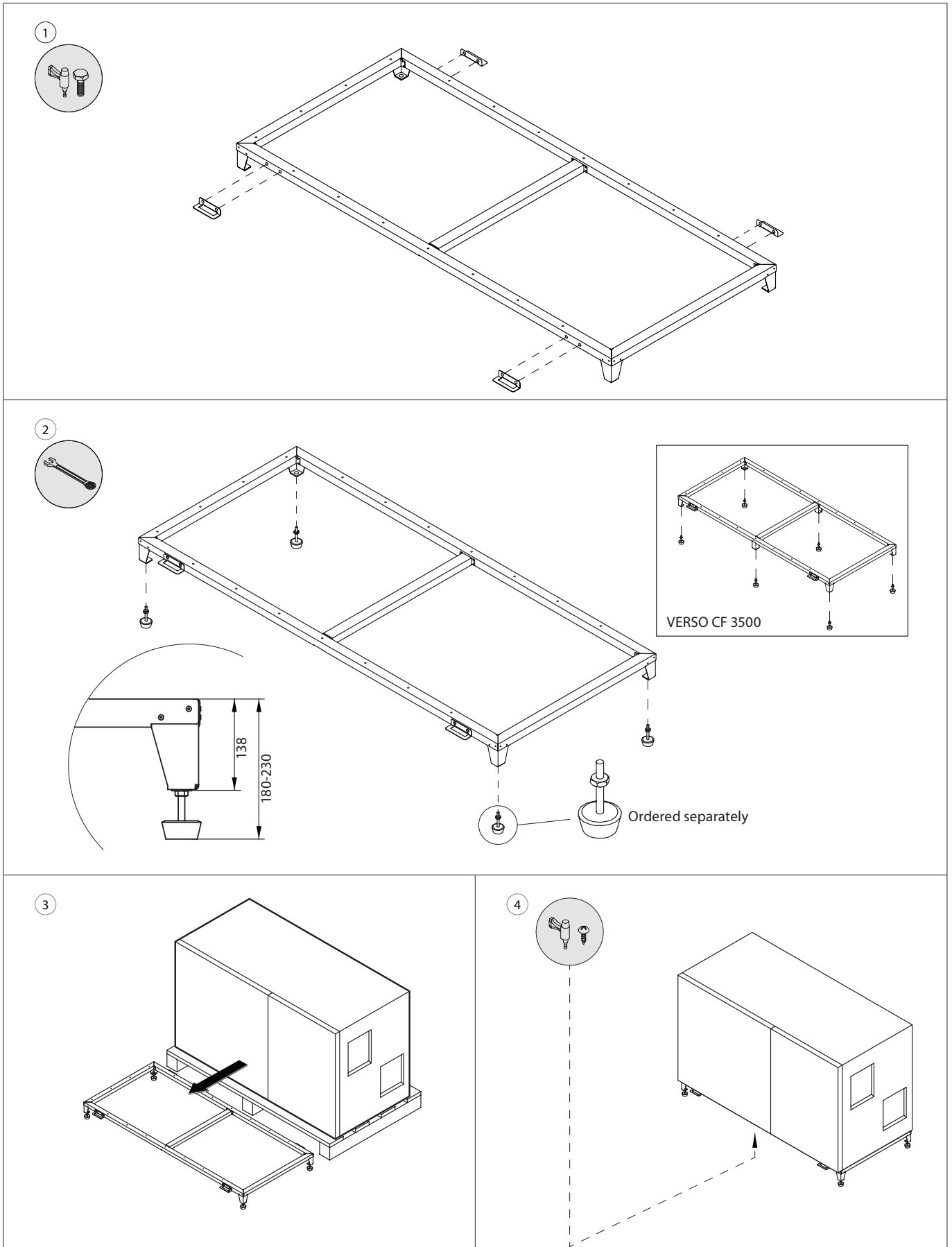


- Connections of outdoor units must be additionally sealed (the sealant is not included).
- If the outdoor unit will be switched off during the cold season, supply and extract air ducts (on the indoor side) must be fitted with additional air shut-off dampers. They should prevent warm indoor air from circulating inside the unit when it is stopped to avoid condensation, which may be detrimental to electronic components.



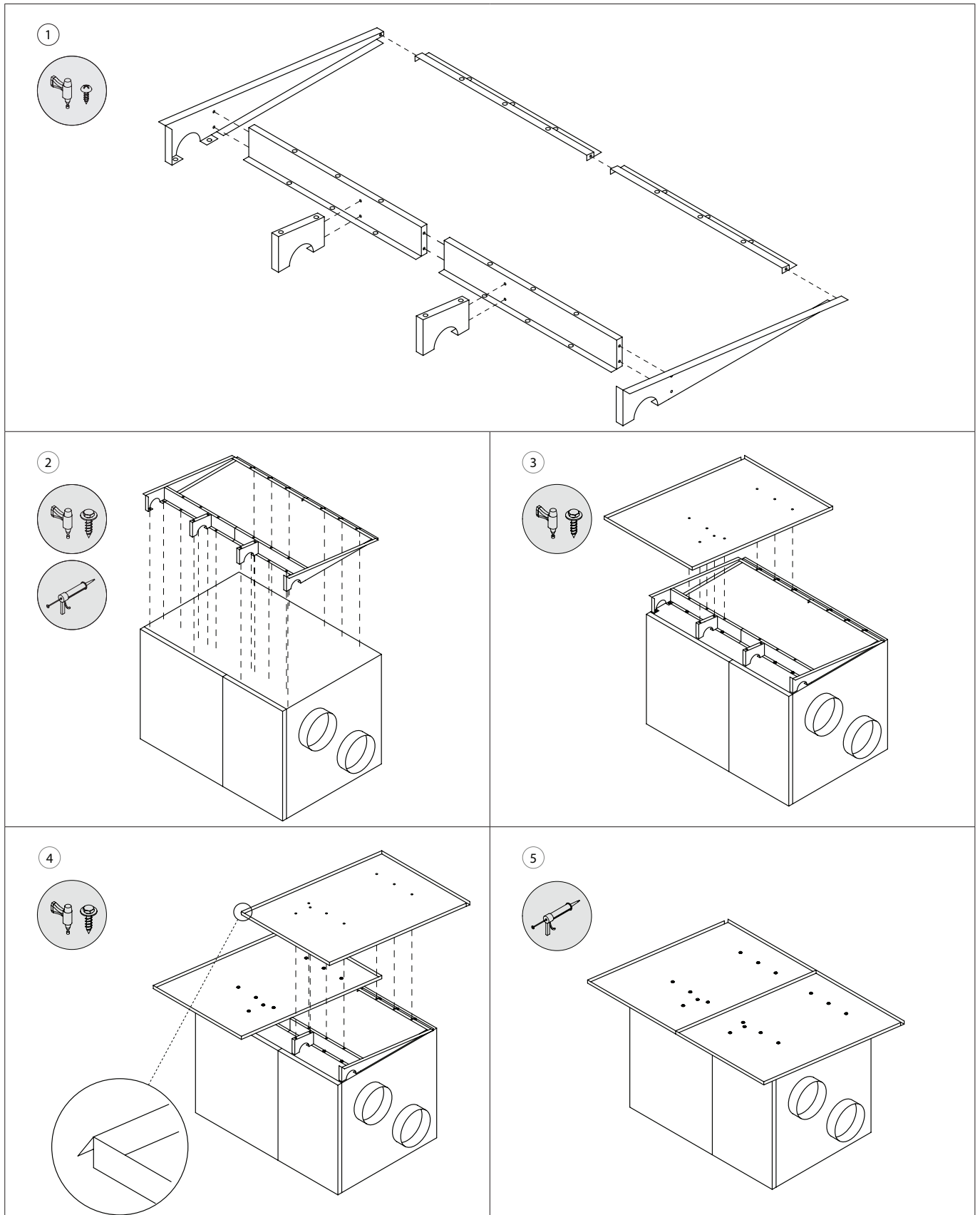
Air intake and outlet hoods must be installed as far apart as possible (for example by installing additional duct segments between AHU and hood), to prevent the exhaust air from returning to the air intakes.

## MOUNTING OF THE BASE FRAME

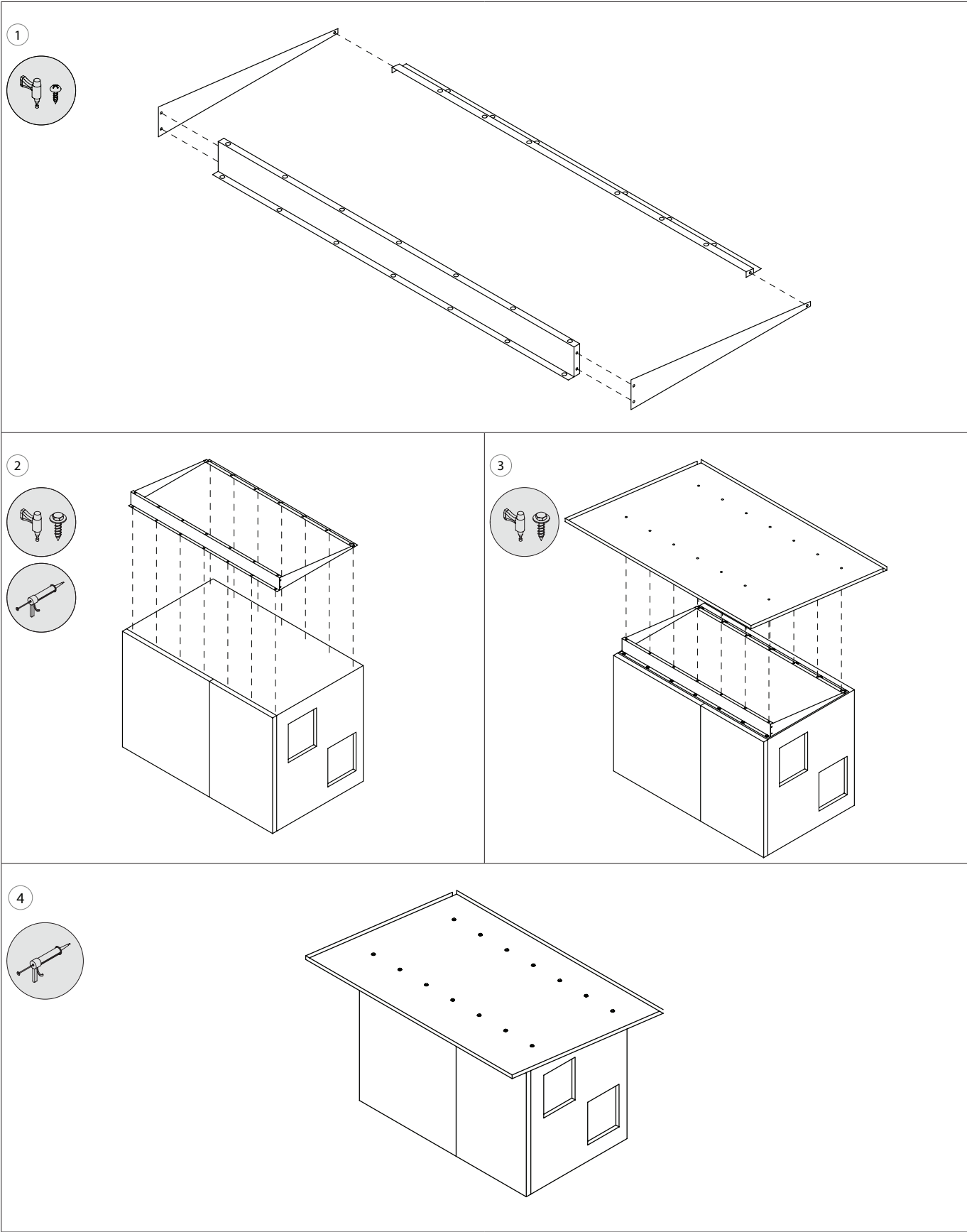


## MOUNTING OF THE ROOFS

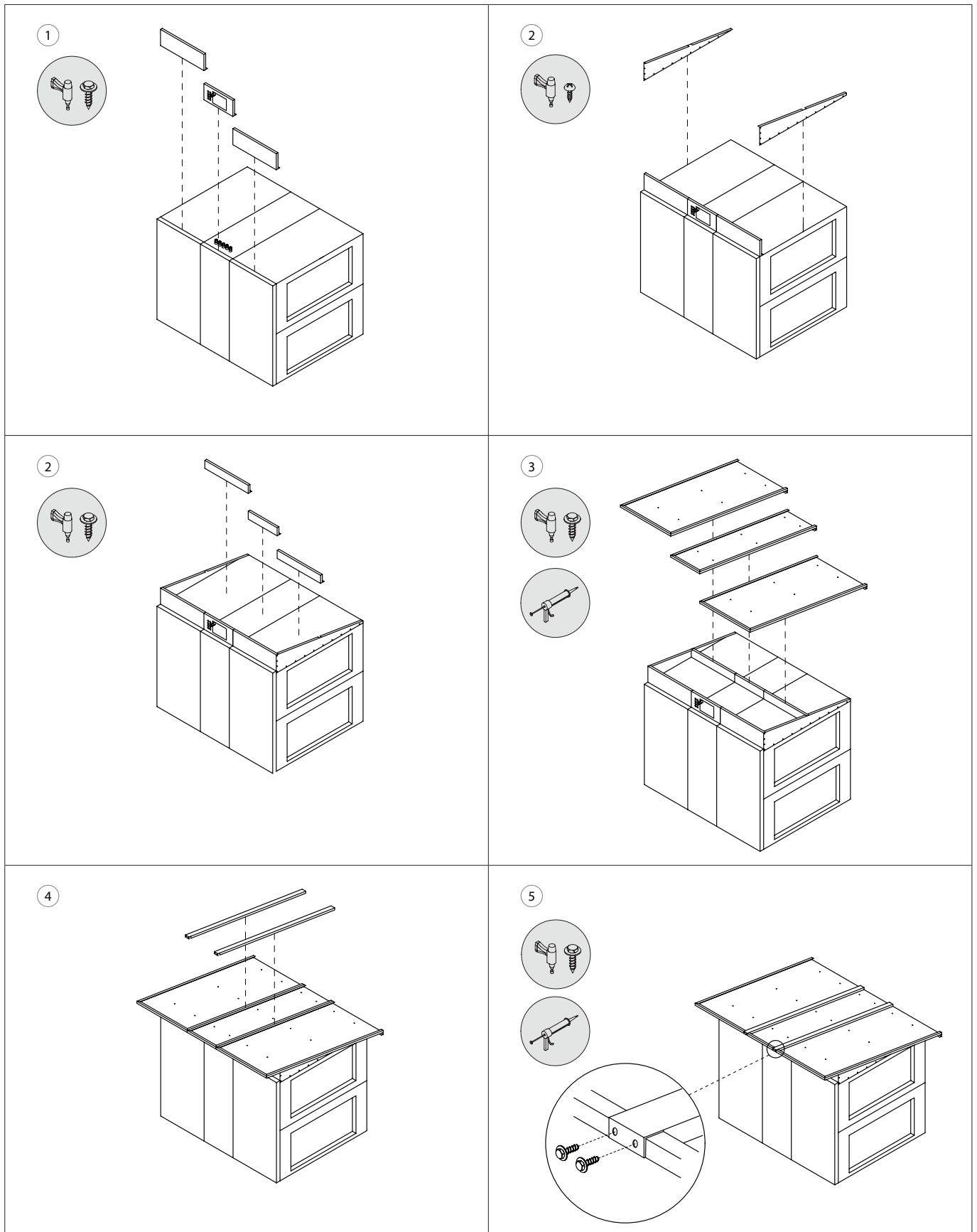
Verso R 1000 - R 1300 - R 1500



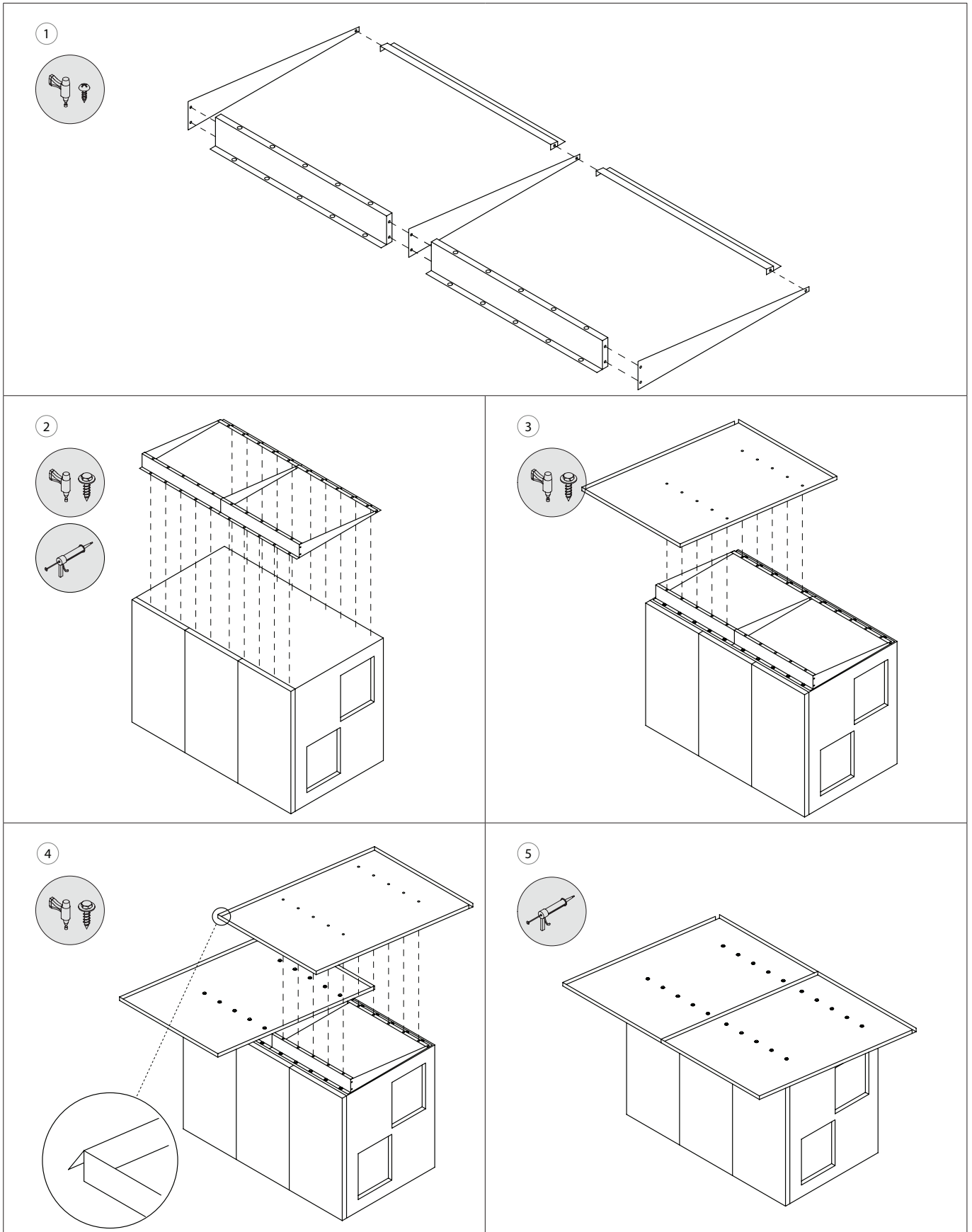
VERSO R 1700 - R 2000  
RHP 800 - 1300 - 1500



Verso R 2500 - R 5000 - R 7000

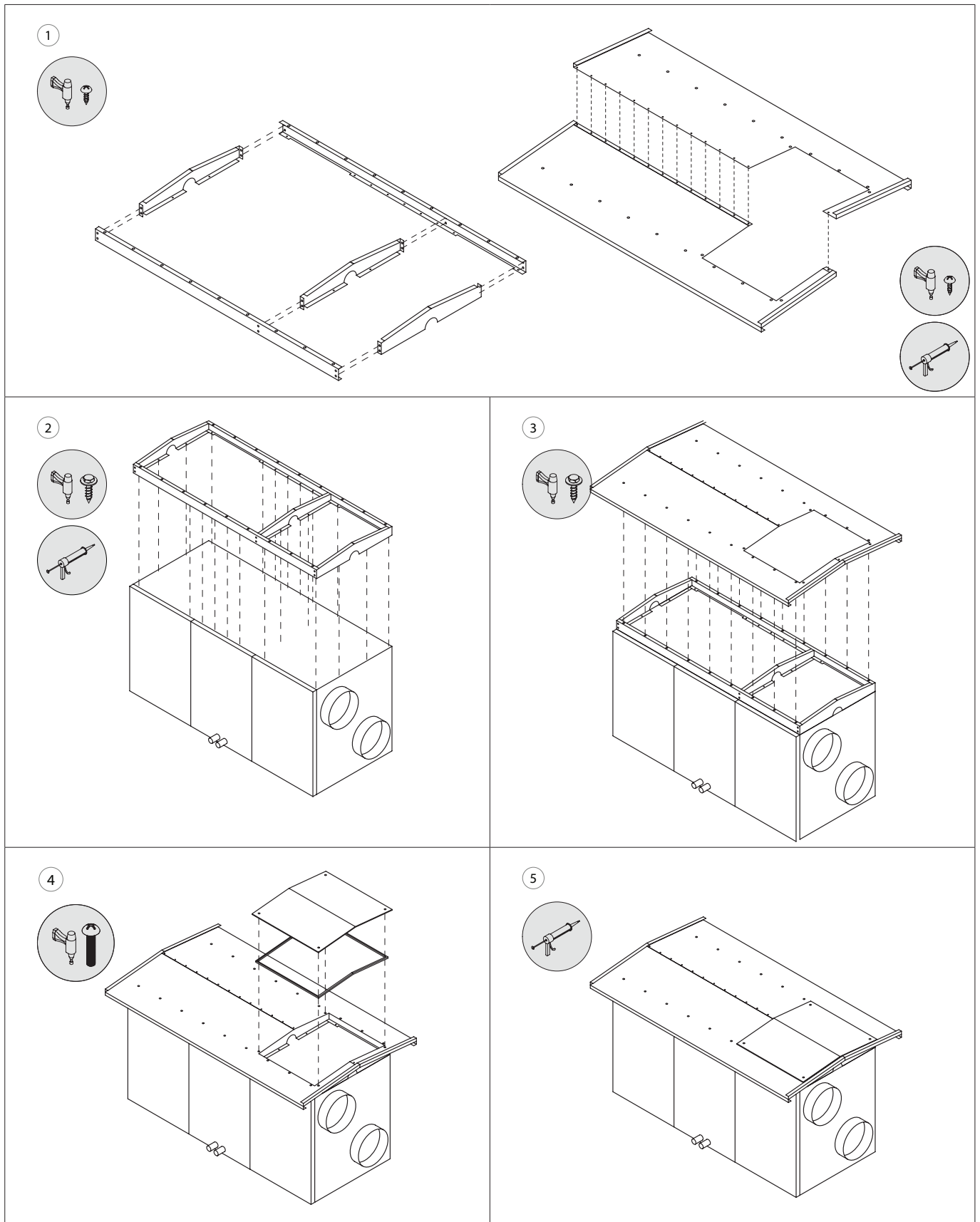


Verso R 3000 - R 4000

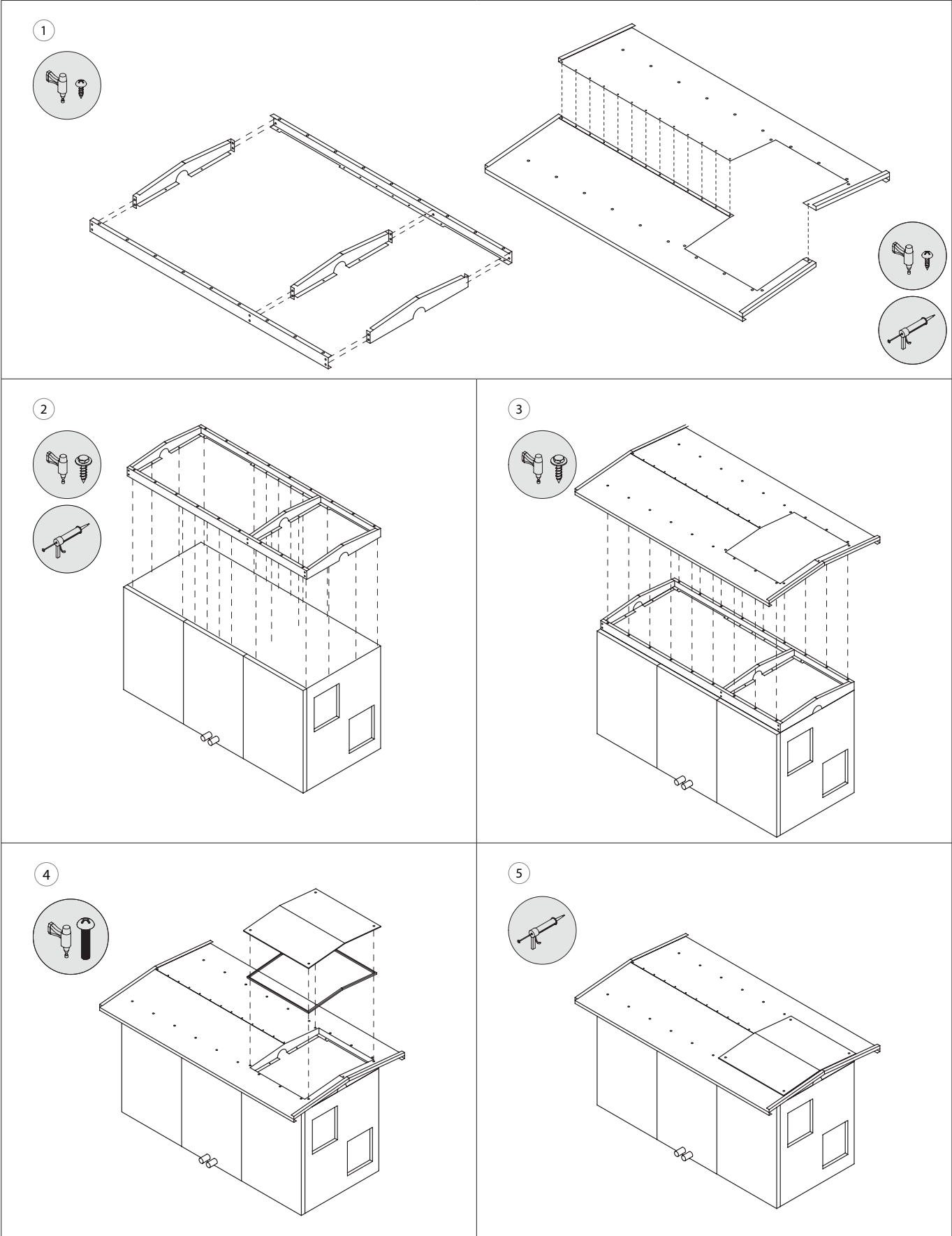




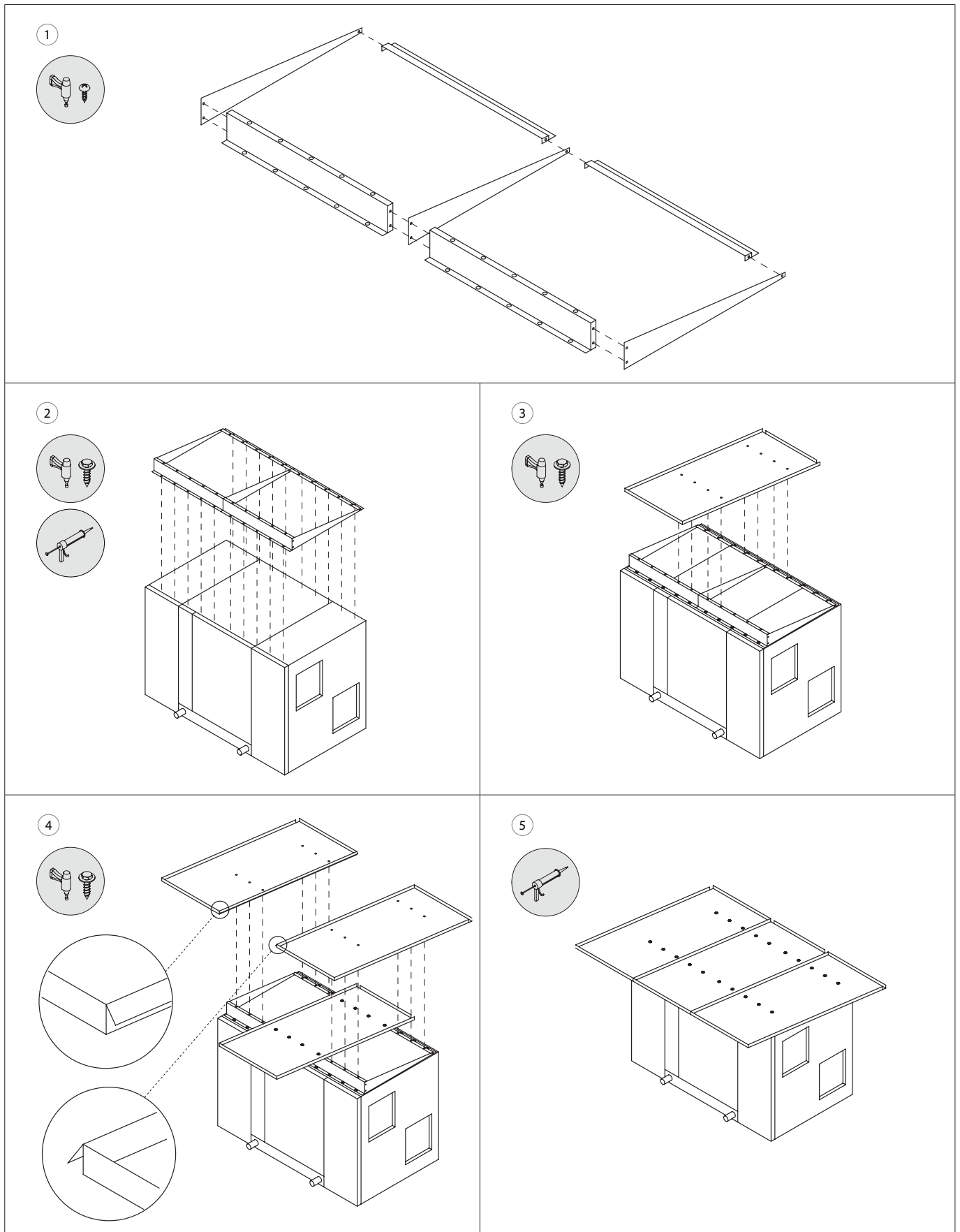
Verso CF 1000 - CF 1300 - CF 1700



Verso CF 2300

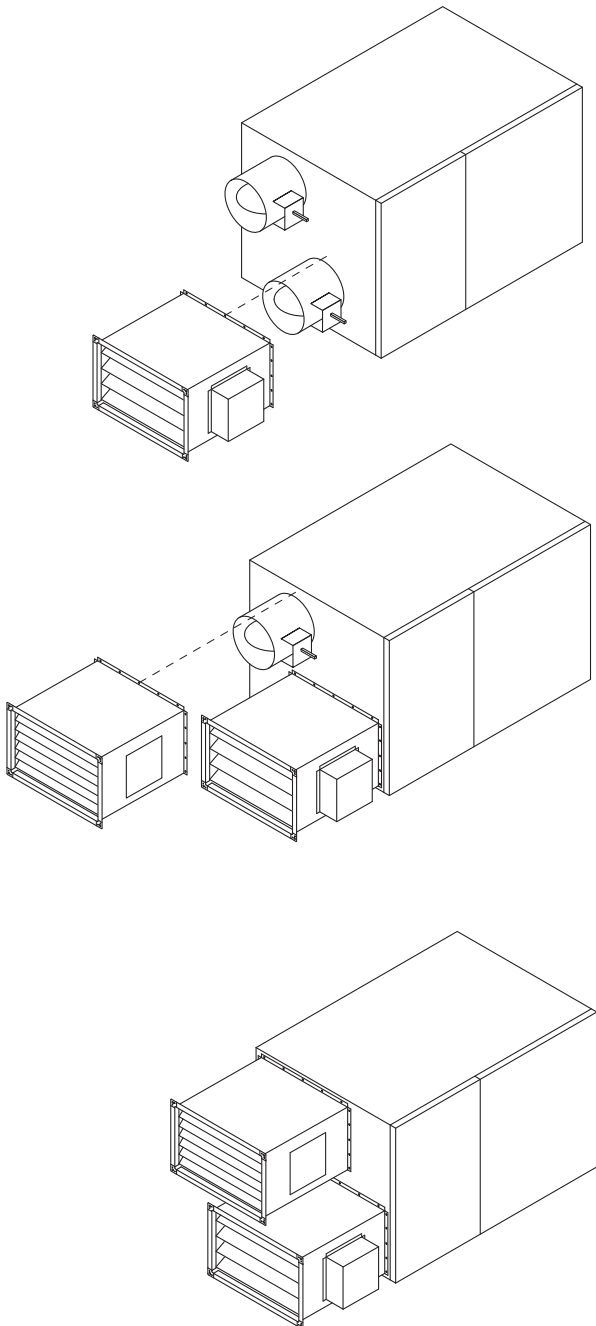


Verso CF 3500

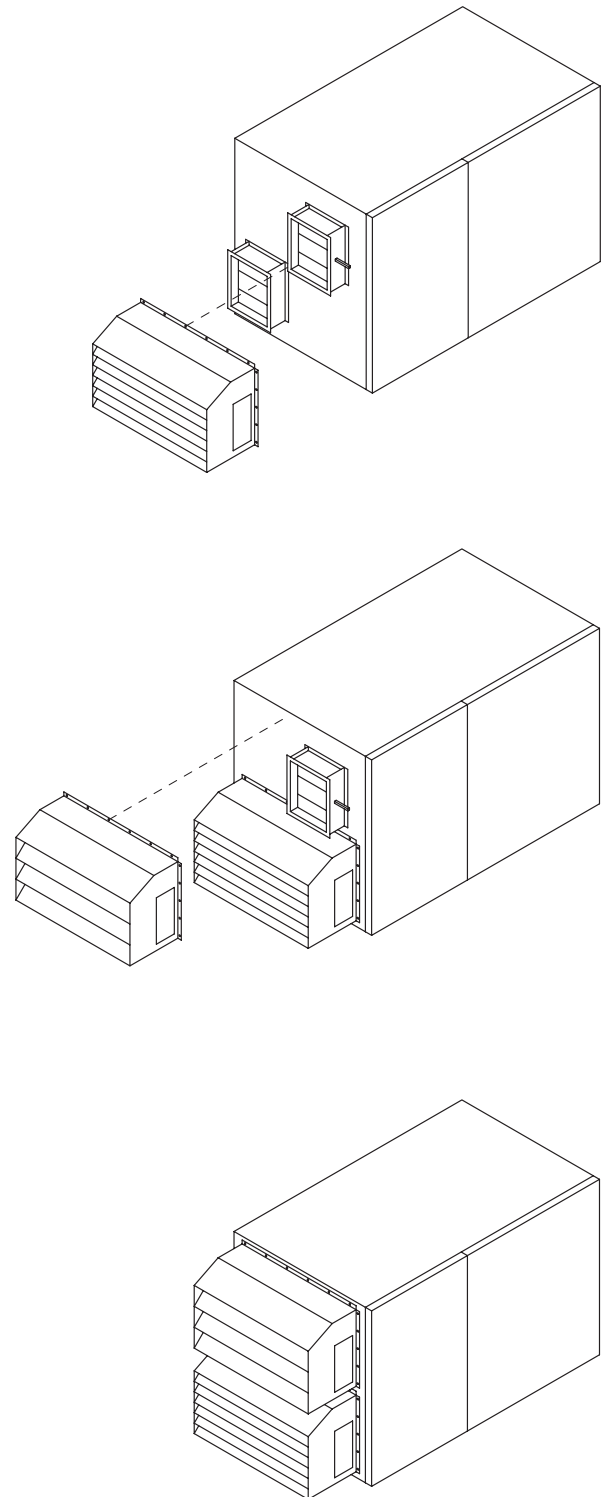
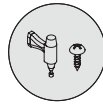


**MOUNTING OF THE HOODS**

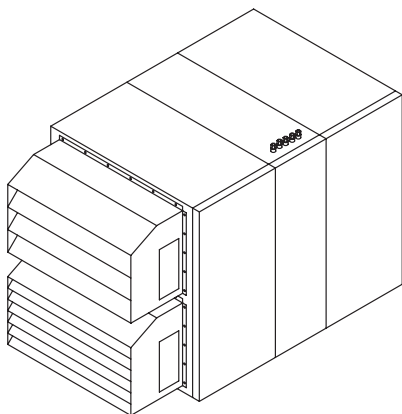
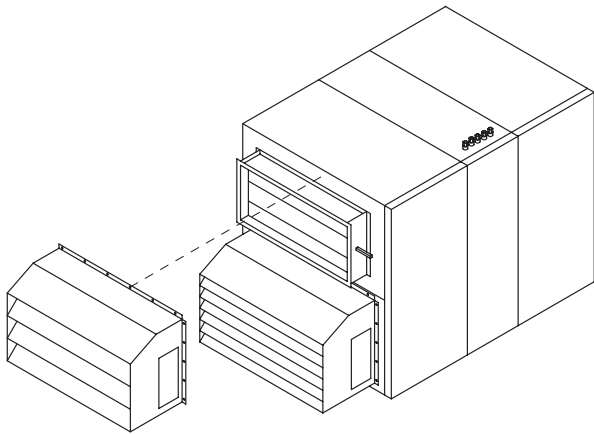
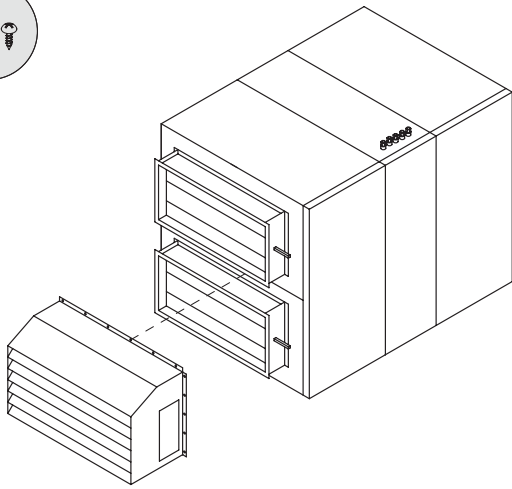
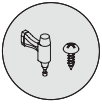
Verso R 1000 - R 1300 - R 1500  
 Verso CF 1000 - CF 1300 - CF 1700  
 RHP 800 - 1300 - 1500



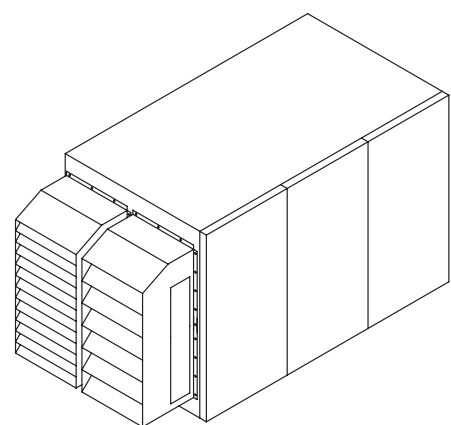
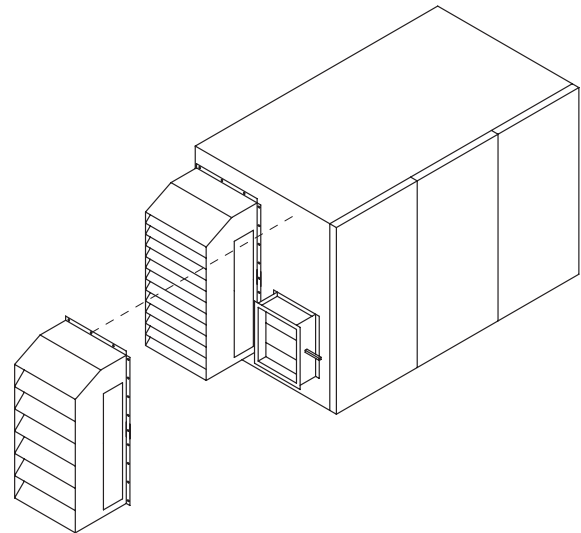
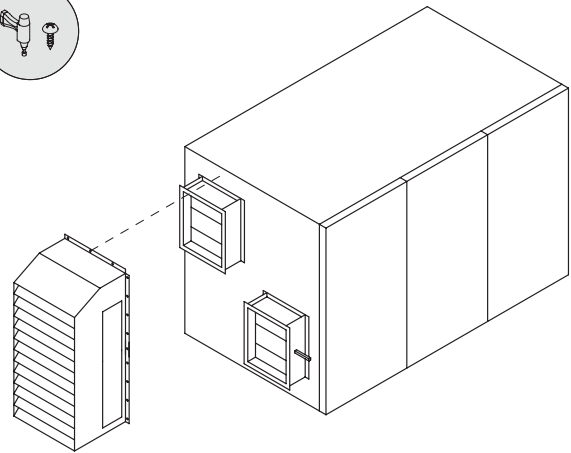
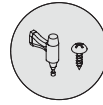
Verso R 1700 - R 2000



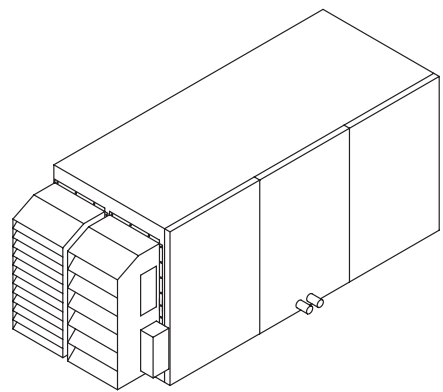
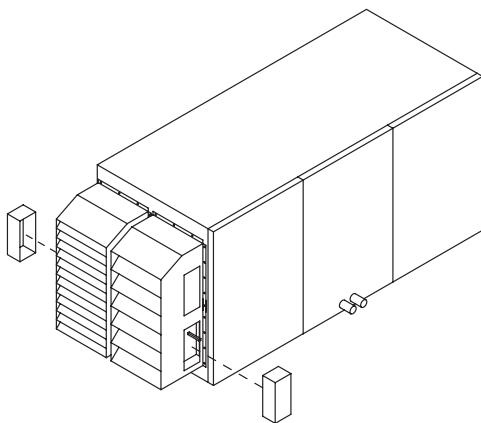
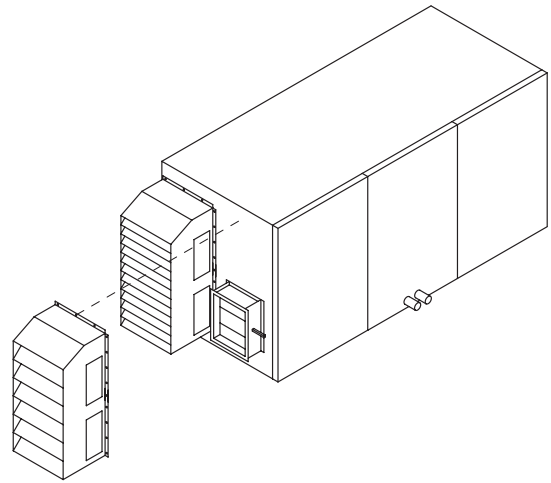
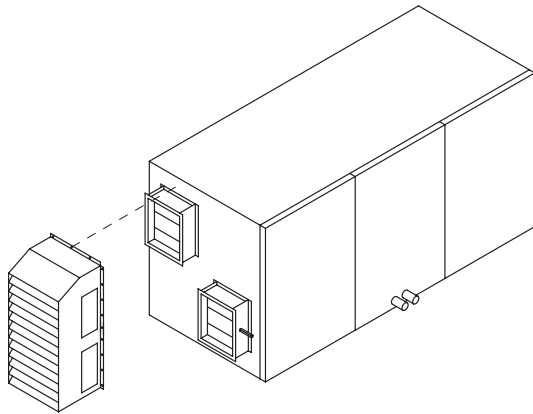
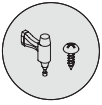
Verso R 2500 - R 5000 - R 7000



Verso R 3000 - R 4000  
Verso CF 3500



Verso CF 2300





## LITHUANIA

### UAB KOMFOVENT

#### SERVICE AND SUPPORT

Tel. +370 5 200 8000  
service@komfovent.com  
www.komfovent.com

## SWEDEN

### Komfovent AB

Ögärdesvägen 12B  
433 30 Partille, Sverige  
Tel. +46 31 487 752  
info\_se@komfovent.com  
www.komfovent.se

## FINLAND

### Komfovent Oy

Muuntotie 1 C1  
FI-01 510 Vantaa, Finland  
Tel. +358 20 730 6190  
toimisto@komfovent.com  
www.komfovent.com

## GERMANY

### Komfovent GmbH

Konrad-Zuse-Str. 2a,  
42551 Velbert, Deutschland  
Tel. +49 0 2051 6051180  
info@komfovent.de  
www.komfovent.de

## LATVIA

### SIA Komfovent

Bukaišu iela 1, LV-1004 Rīga, Latvia  
Phone: +371 24 66 4433  
info.lv@komfovent.com  
www.komfovent.com

### Vidzemes filiāle

Alejas iela 12A, LV-4219 Valmiermuiža,  
Valmieras pagasts, Burtnieku novads  
Phone: +371 29 358 145  
kristaps.zaicevs@komfovent.com  
www.komfovent.com

## PARTNERS

AT	J. PICHLER Gesellschaft m. b. H.	www.pichlerluft.at
BE	Ventilair group	www.ventilairgroup.com
	ACB Airconditioning	www.acbairco.be
CZ	REKUVENT s.r.o.	www.rekuvent.cz
	WESCO AG	www.wesco.ch
CH	SUDCLIMATAIR SA	www.sudclimatair.ch
	CLIMAIR GmbH	www.climair.ch
DK	Øland A/S	www.oeland.dk
EE	BVT Partners	www.bvtpartners.ee
FR	ATIB	www.atib.fr
HR	Microclima	www.microclima.hr
	AIRVENT Légtechnikai Zrt.	www.airvent.hu
HU	Gevent Magyarország Kft.	www.gevent.hu
	Merkapt	www.merkapt.hu
IR	Fantech Ventilation Ltd	www.fantech.ie
IS	Blikk & Tækniþjónustan ehf	www.bogt.is
	Hitataekni ehf	www.hitataekni.is
IT	Icaria srl	www.icariavmc.it
	Ventilair group	www.ventilairgroup.com
NL	DECIPOLE-Vortvent	www.vortvent.nl
	CLIMA DIRECT BV	www.climadirect.com
NO	Ventilution AS	www.ventilution.no
	Ventistål AS	www.ventistal.no
PL	Thermo Control AS	www.thermocontrol.no
	Ventia Sp. z o.o.	www.ventia.pl
SE	Nordisk Ventilator AB	www.nordiskventilator.se
SI	Agregat d.o.o	www.agregat.si
SK	TZB produkt, s.r.o.	www.tzbprodukt.sk